



Hard Drive Enclosure  
Festplattengehäuse  
Caja Para Disco Duro  
硬碟外接盒

**Taurus Super-S3 LCM**

EN

DE

ES

CH



Manual  
Handbuch  
Manual  
使用說明書

For more detailed instructions,  
please download the PDF manual at  
<http://www.akitio.com/support/user-manuals>

E15-57131AA022  
8/15/2012 - v1.1



© 2012 by AKiTiO - All Rights Reserved

*AKiTiO assumes no responsibility for any errors or differences between the product you may have and the one mentioned in this document and reserves the right to make changes in the specifications and/or design of this product without prior notice. The diagrams contained in this document are for reference and may not fully represent the real product.*

## Front View - Frontansicht Vista frontal - 正面



Blue = Power on  
Blau = Strom eingeschaltet  
Azul = ENCENDIDO  
藍色 = 開機

- HDD 1/2** Green = Data access (read/write)  
Red = Error or empty drive bay
- HDD 1/2** Grün = Datenzugriff (lesen/schreiben)  
Rot = Error oder leerer Laufwerksschacht
- HDD 1/2** Verde = Acceso a datos (lectura/escritura)  
Rojo = Error o bahía de unidad vacía
- HDD 1/2** 綠色 = 資料存取中  
紅色 = 硬碟未放入或者硬碟錯誤
- Rebuild** Orange = Rebuilding data  
Orange = Am Wiederherstellen der Daten  
Naranja = Reconstruyendo datos  
橘色 = 重建資料中
- Select** Select menu or mode  
Wähle Menü oder Betriebsart aus  
Seleccionar menú o modo  
選擇設定選單或模式
- OK** Confirm or enter  
Bestätigen oder öffnen  
Confirmar o entrar  
確定或者進入

## Rear View - Rückansicht Vista posterior - 背面

### **USB 3.0**

USB 3.0 SuperSpeed port  
USB 3.0 SuperSpeed Anschluss  
Puerto de USB 3.0 SuperSpeed  
USB 3.0 極速傳連接埠

### **FW400/800**

FireWire 400/800 ports  
FireWire 400/800 Anschlüsse  
Puertos FireWire 400/800  
FireWire 400/800 連接埠

### **eSATA**

eSATA port  
eSATA Anschluss  
Puerto de eSATA  
eSATA 連接埠

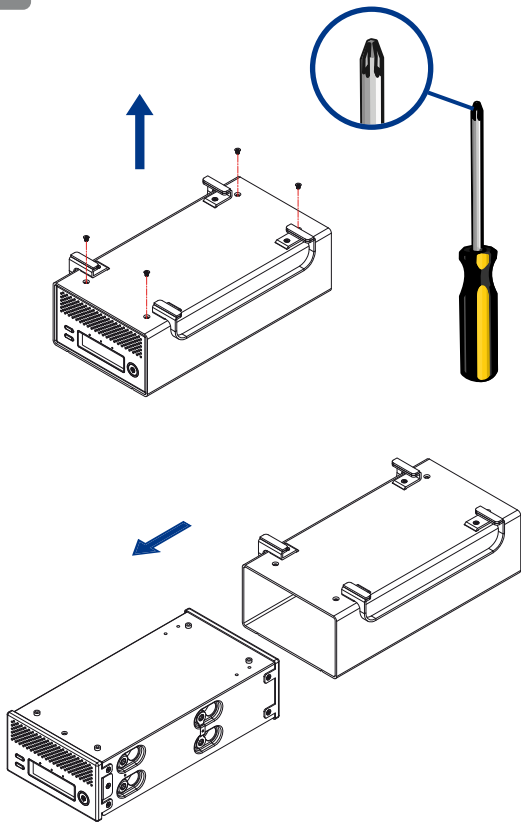
### **DC 12V**

Power receptacle  
Netzanschluss  
Toma de alimentación  
電源插座

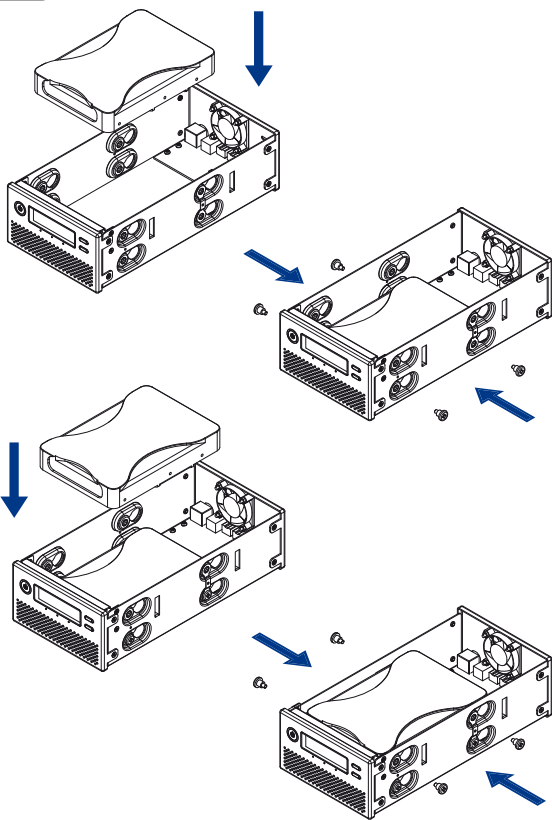


Kensington security slot  
Öffnung für Kensington-Schloss  
Conector de seguridad Kensington  
安全鎖插槽

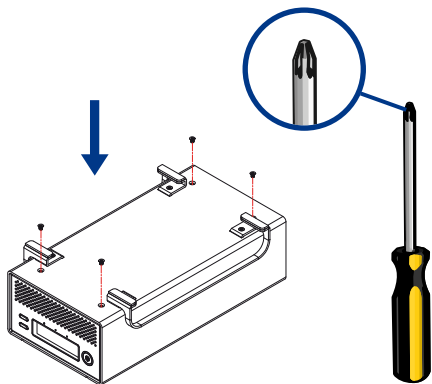
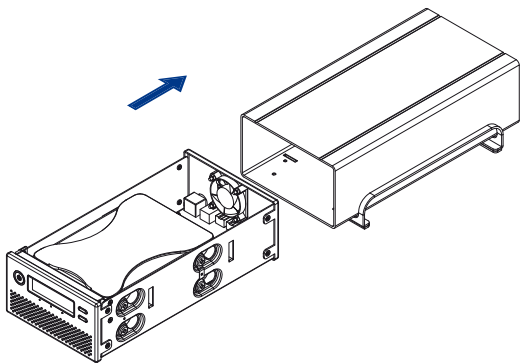
1



2



3



4



1

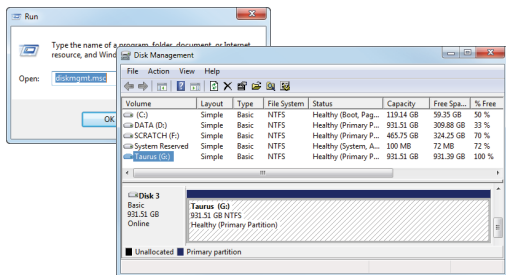
2 Power ON ▶ 

3 Select ▶ Select ▶ Select ▶ OK ▶ Select ▶

RAID Mode Setup
RAID 1      Enter>

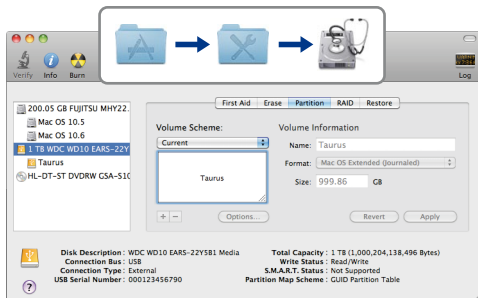
## Windows

1. Start / Run... → diskmgmt.msc
2. Create NTFS partition



## Mac

1. Applications / Utilities → Disk Utility
2. Create Mac OS Extended (HFS+) partition



For more detailed instructions, please visit our website at  
<http://www.akitio.com/information-center/formatting-external-hard-drives>